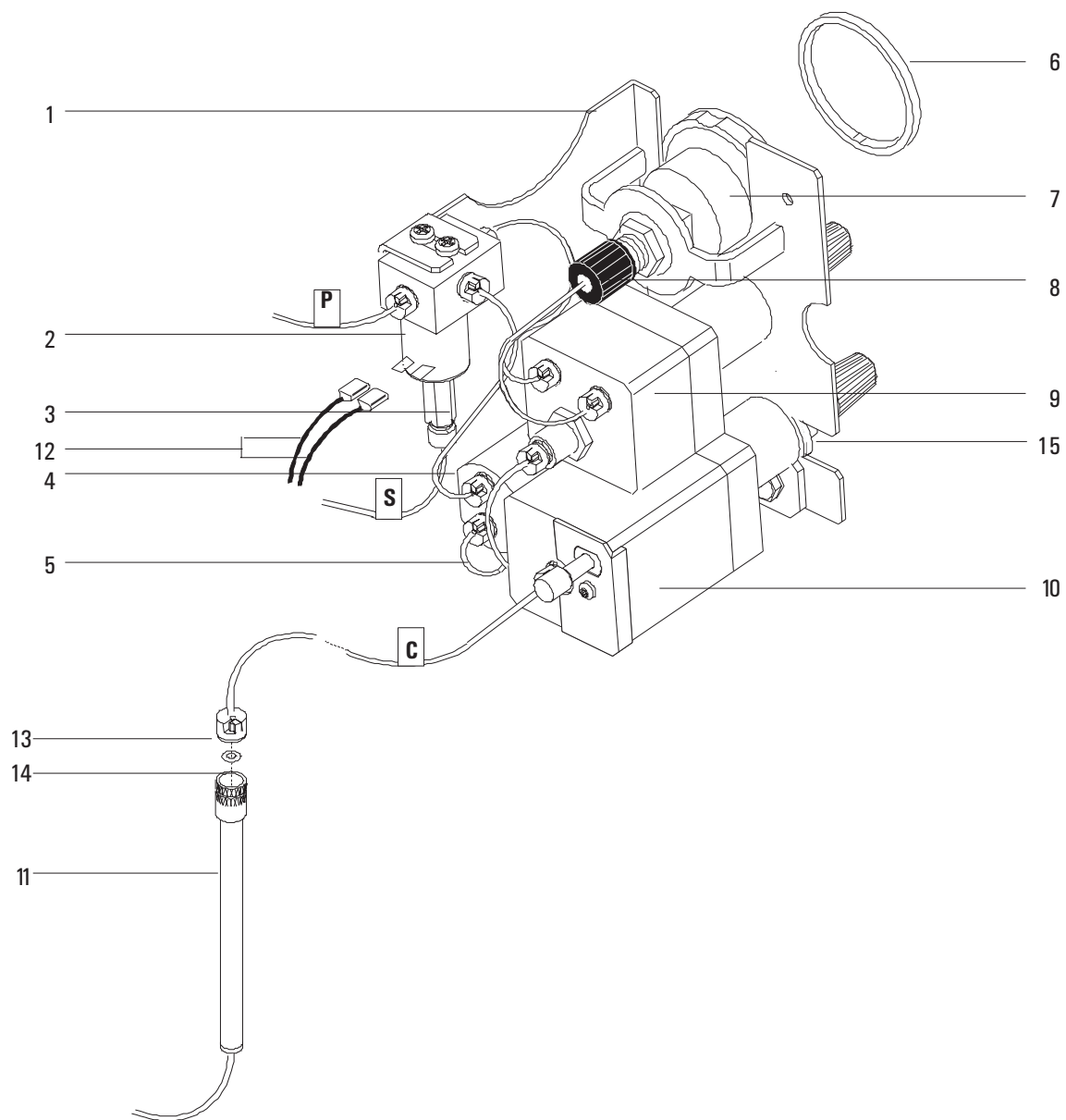


Split/Splitless Inlet Manual Pneumatic Module (Module and Inlet Assy. HP part no. G1544-65500)

Description	HP Part No.	Qty.
1. Flow Module Bracket	19243-00045	1
2. Solenoid Valve Assembly, 3-way, 24Vdc	G1544-60560	1
3. Jumper Weldment	19243-80550	2
4. Purge Pressure Regulator (Septum)	19246-60530	1
5. Vent Tube Weldment	19244-80580	1
6. Pressure Gauge Spacer	19243-40010	1
7. Pressure Gauge, 0-30 psi	19320-60655	1
8. Gauge Jumper Weldment	19243-80555	1
9. Backpressure Regulator, 0-30 psi	19246-60570	1
10. Mass Flow Controller, 0-400 mL/min.	19362-60575	1
11. Chemical Trap Assembly	05890-80710	1
12. Solenoid Valve Cable Assembly	G1544-60520	1
13. HPM8 Plastic Fitting	5181-3394	10 pk
14. M8 O-ring	5180-4181	12 pk
15. Hex Nut, 5/16 in.	2950-0203	2
NS Blank Label Plate	G1530-90705	-
NS S/SL Label Plate	G1530-90720	-

Split/Splitless Inlet Manual Pneumatic Module**Figure 1310-4 Split/Splitless Inlet Manual Pneumatic Module**